

G70

(7.0t x 0.8m)



All Galizia models incorporate a full digital safe load indicator

Like all Galizia models, the G70 incorporates a full digital safe load indicator with display. A joystick controlled proportional distributor allows operation of all boom functions.

Technical Specifications

Capacity	7.0t x 0.8m
Max height	7.4m (with searcher hook)
Max working radius	3.8m
Max lifting height	6m
Chassis dimensions	3235 (l) x 1850 (w) x 2070 (h) mm
Weight	6,100kg
Boom length	3.38 - 6.38m
Boom type	3 section hydraulic, box boom
Derricking angle	-8° to 45°
Steering	rear hydraulic 180°
Tyres	2 solid rear, 4 solid front
Diesel engine option	Yanmar 3 cylinder
Fuel	diesel
Max output	27kW
Tank capacity	50 litres
Travel speed	12km/h
Electric power option	8kW
Power source	48v rechargeable battery
Travel speed	7km/h



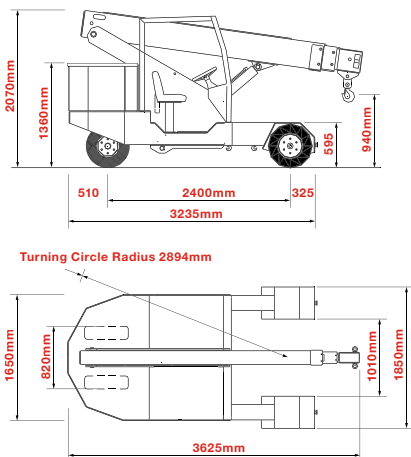
Standard Equipment

Digital safe load indicator with display, proportional distributor joystick-controlled, audio-visual overload alarm, reversing alarm, seat and seatbelt sensor, overload warning lamps

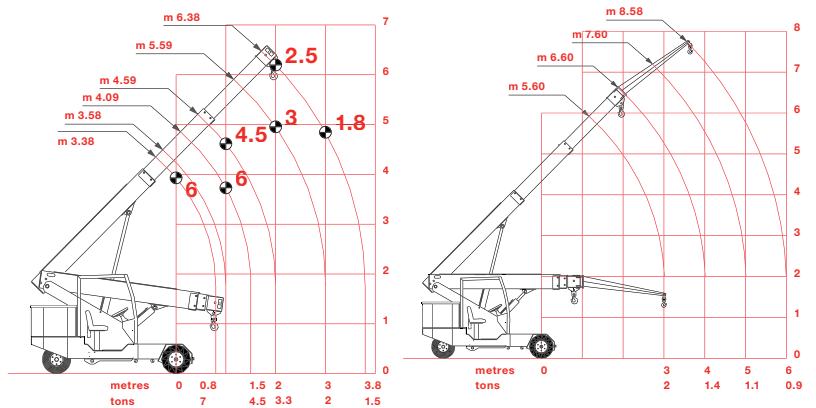
Optional Equipment

Searcher hook, hydraulically extending searcher hook, full winch system, auto-levelling telehandler forks, low marking tyres

Elevations



Rated Loads



SEARCHER HOOK - Capacity 2000kg, length 2.2m