

G50

(5.0t x 0.6m)



**A choice of diesel engines,
 or battery powered motors**

A mid-capacity and very versatile crane which can lift and carry up to 5t yet has a weight of only 3900kg. Powered by an electric battery or a diesel engine.

Technical Specifications

Capacity	5.0t x 0.6m
Max height	6.4m (with searcher hook)
Max working radius	2.7m
Max lifting height	5m
Chassis dimensions	2940 (l) x 1650 (w) x 2005 (h) mm
Weight	3,900kg
Boom length	2.95 - 5.05m
Boom type	2 section hydraulic, box boom
Derricking angle	-10° to 46°
Steering	rear hydraulic 180°
Tyres	1 solid rear, 2 solid front
Diesel engine option	Yanmar 3 cylinder
Fuel	diesel
Max output	23kW
Tank capacity	30 litres
Travel speed	10km/h
Electric power option	6kW
Power source	48v rechargeable battery
Travel speed	7km/h



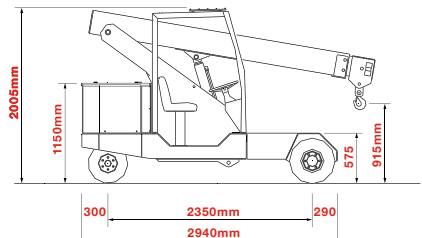
Standard Equipment

Digital safe load indicator, audio-visual overload alarm, reversing alarm, seat and seatbelt sensor, overload warning lamps

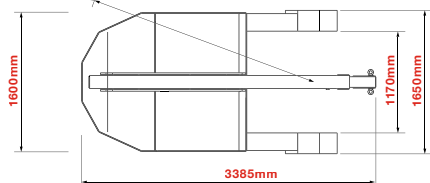
Optional Equipment

Searcher hook, low marking tyres, full winch system

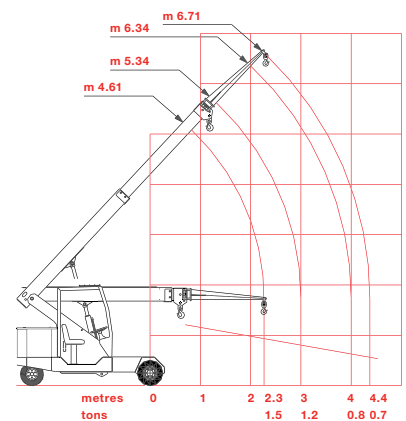
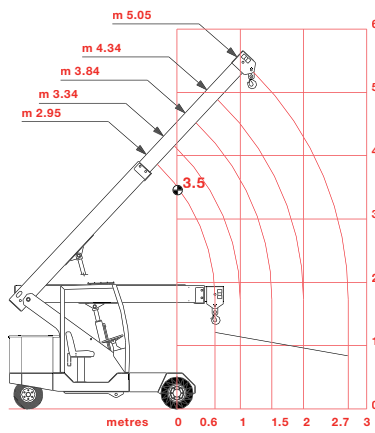
Elevations



Turning Circle Radius 2660mm



Rated Loads



SEARCHER HOOK - Capacity 1500kg, length 1.7m